

Kestrel Evo 'S' VFA

The ever popular VFA variable forward arm is now available in the compact yet powerful Kestrel 'S' range.

Features include integral road lighting, tubular 3 point linkage and power slew with hydraulic breakout.

Key Features

- 5m reach
- Parallel arm option
- Choice of flails, heads and cutter bars
- Power slew
- Debris blower option



Want to know more about the Kestrel Evo 'S' VFA?

Scan the QR code to the left with a smart phone or tablet and compatible app to instantly view the page.

Alternatively visit: <http://www.bomford-turner.com/landscape/arm-mowers/kestrel-evo-s-vfa/>



Low profile tank

Aids driver visibility.

LED road lighting

Fitted as standard.

Powerful 74hp hydraulics

For continuous use. Twin pumps with separate oil tank.

Product Specification

● Standard ○ Optional — Not Available

Kestrel Evo 'S' VFA	5.0m (16'5")
Tractor requirements	
Minimum horse power	50hp
Minimum weight	3000kg / 6614lbs
Base unit mounting options	
Front mount	—
Mid-mount	—
Rear mount	●
Three point linkage (CAT II)	●
Axle bracket	—
Sub Frame	—
Yoke	—
Overall machine parameters	
Machine weight with head and oil	1180kg / 2601lbs
Capacity of oil tank	160L / 42.3USG
Weight of machine with oil but without head	940kg / 2072lbs
Controls	
Cable Control (CC)	●
Low pressure hydraulics (LPH)	○
Electronic proportional control (EPP)	○
Intelligent control system (ICS)	—
Cable rotor reverse	●
Electronic rotor reverse	—
Hydraulic System	
System capability	54hp
Pump flow rate	88L / 19.4USG
Pump type (Gear / Piston / Helical)	Gear
Pump arrangement (Twin / Tandem Inline)	Twin
Independent hydraulics	●
Oil cooler	○

Kestrel Evo 'S' VFA	5.0m (16'5")
Arm features and main frame	
Forward arm	1200mm / 3'11"
Telescopic arm	—
Telescopic arm stroke	—
Power slew	●
Power slew angle	94°
Gravity breakout protection	—
Hydraulic breakout protection	●
Arm float - manual operation	○
Arm float - electronic operation	○
Head float - manual operation	●
Head float - electronic operation	○
Left hand cutting	○
Right hand cutting	○
Left and right hand cutting	—
Arm attachments available	
Variable track bracket (VTB)	—
Sheartrim cutter bar	○
Pro-Saw	○
Ditch cleaner	—
Rotary head	—
Accessories	
Road lights	●
Debris blower	○
Warning arrow - Magnetic	○
Cab guard kit	●
Cutting heads (For Flail compatibility see page 95)	
1.2m Pro-Trim with 115/150mm roller	○
1.2m Pro-Trim ISMP with 115/150mm roller	○
1.5m Pro-Trim with 115/150mm roller	○



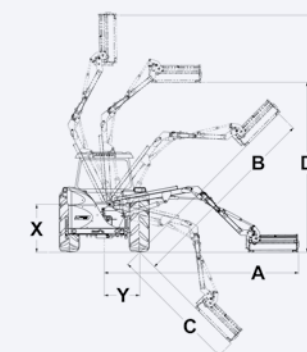
Clear visibility

Variable forward reach brings cutting head into drivers view.

Working Reach

Head used for calcs: 1.2 Pro-Trim

Side Reach Kestrel Evo 'S' VFA 5.0M (16'5")	
A	5.08m / 16'8"
B	4.80m / 15'9"
C	4.94m / 16'2"
D	4.49m / 14'9"
E	5.66m / 18'7"
X	1.35m / 4'5"
Y	1.0m / 3'4"



Forward Reach Kestrel Evo 'S' VFA 5.0M (16'5")	
A	5.08m / 16'8"
F	4.96m / 17'8"
G	5.0m / 16'4"
H	1.2m / 3'11"
J	0.56m / 1'10"

