

Kestrel Evo 'S'

The Kestrel Evo 'S' has been designed to provide significant reach for farmers who need to keep weight in mind whilst retaining the versatile features of a more expensive machine.

These features include integral road lighting, tubular 3 point linkage and power slew with hydraulic breakout.

Key Features

- 5m or 5.7m reach
- Parallel arm option
- Front mount option
- Choice of flails, heads and cutter bars
- Power slew
- Forward arm option



Want to know more about the Kestrel Evo 'S' range?

Scan the QR code to the left with a smart phone or tablet and compatible app to instantly view the page.

Alternatively visit: <http://www.bomford-turner.com/landscape/arm-mowers/kestrel-evo-s/>



Power slew and hydraulic breakout
For driver and machine safety.

Pro Trim top drive motor head
Fitted as standard.

Road lights
Fitted as standard.



Product Specification

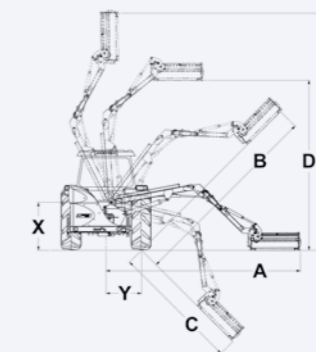
● Standard ○ Optional — Not Available

Kestrel Evo 'S'	5.0m (16'5")	5.0m P (16'5")	5.7m (18'8")	5.7m P (18'8")
Tractor requirements				
Minimum horse power	50hp	50hp	60hp	60hp
Minimum weight	3000kg 6614lbs	3000kg 6614lbs	3500kg 7716lbs	3500kg 7716lbs
Base unit mounting options				
Front mount	○	○	○	○
Mid-mount	—	—	—	—
Rear mount	●	●	●	●
Three point linkage (CAT II)	●	●	●	●
Axle bracket	—	—	—	—
Sub Frame	—	—	—	—
Yoke	—	—	—	—
Overall machine parameters				
Machine weight with head and oil	1180kg 2601lbs	1180kg 2601lbs	1210kg 2268lbs	1210kg 2268lbs
Capacity of oil tank	160L 42.3usg	160L 42.3usg	160L 42.3usg	160L 42.3usg
Weight of machine with oil but without head	940kg 2072lbs	940kg 2072lbs	970kg 2139lbs	970kg 2139lbs
Controls				
Cable Control (CC)	●	●	●	●
Low pressure hydraulics (LPH)	○	○	○	○
Electronic proportional control (EPP)	—	—	—	—
Intelligent control system (ICS)	—	—	—	—
Cable rotor reverse	●	●	●	●
Electronic rotor reverse	—	—	—	—
Hydraulic System				
System capability	54hp	54hp	54hp	54hp
Pump flow rate	88L 23.2usg	88L 23.2usg	88L 23.2usg	88L 23.2usg
Pump type (Gear / Piston / Helical)	Gear	Gear	Gear	Gear
Pump arrangement (Twin / Tandem Inline)	Twin	Twin	Twin	Twin
Independent hydraulics	●	●	●	●
Oil cooler	○	○	○	○

Working Reach

Head used for calcs: 1.2 Pro-Trim

	Kestrel Evo 'S' 5.0m (16'5")	Kestrel Evo 'S' 5.0m P (16'5")	Kestrel Evo 'S' 5.7m (18'8")	Kestrel Evo 'S' 5.7m P (18'8")
A	5.05m / 16'7"	4.87m / 15'12"	5.7m / 18'8"	5.7m / 18'8"
B	5.16m / 16'11"	4.94m / 16'3"	5.9m / 19'4"	5.87m / 19'3"
C	3.30m / 10'10"	3.30m / 10'10"	3.86m / 12'8"	4.08m / 13'5"
D	4.42m / 16'6"	3.97m / 13'	5.1m / 16'9"	4.77m / 15'8"
E	6.40m / 20'11"	5.62m / 18'5"	7.11m / 23'4"	6.45m / 21'2"
X	1.3m / 4'1"	1.3m / 4'1"	1.3m / 4'1"	1.3m / 4'1"
Y	1.0m / 3'4"	1.0m / 3'4"	1.0m / 3'4"	1.0m / 3'4"



Kestrel Evo 'S'	5.0m (16'5")	5.0m P (16'5")	5.7m (18'8")	5.7m P (18'8")
Arm features and main frame				
Forward arm	○	○	—	—
Telescopic arm	—	—	—	—
Telescopic arm stroke	—	—	—	—
Power slew	●	●	●	●
Power slew angle	94°	94°	94°	94°
Gravity breakout protection	—	—	—	—
Hydraulic breakout protection	●	●	●	●
Head float - manual operation	●	●	●	●
Head float - electronic operation	○	○	○	○
Left hand cutting	○	○	○	○
Right hand cutting	○	○	○	○
Left and right hand cutting	—	—	—	—
Arm attachments available				
Variable track bracket (VTB)	—	—	—	—
Sheartrim cutter bar	○	○	○	○
Pro-Saw	○	○	○	○
Ditch cleaner	—	—	—	—
Rotary head	—	—	—	—
Accessories				
Road lights	●	●	●	●
Debris blower	—	—	—	—
Warning arrow - Magnetic	○	○	○	○
Cab guard kit	●	●	●	●
Cutting heads (For Flail compatibility see pg 82)				
1.2m Pro-Trim with 115/150mm roller	○	○	○	○
1.2m Pro-Trim ISMP with 115/150mm roller	○	○	○	○
1.5m Pro-Trim with 115/150mm roller	○	○	○	○



Non parallel arm options
Available at request.

