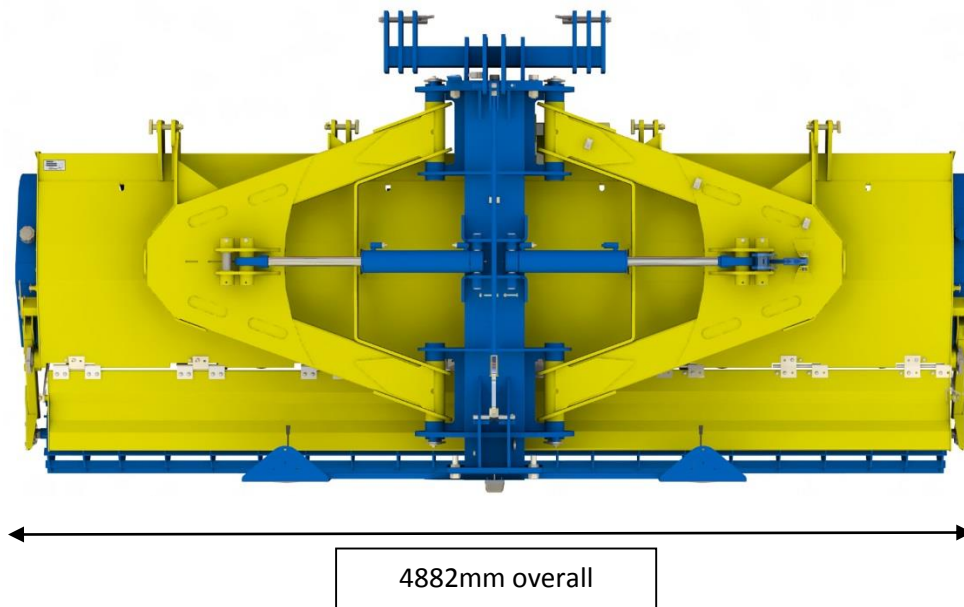
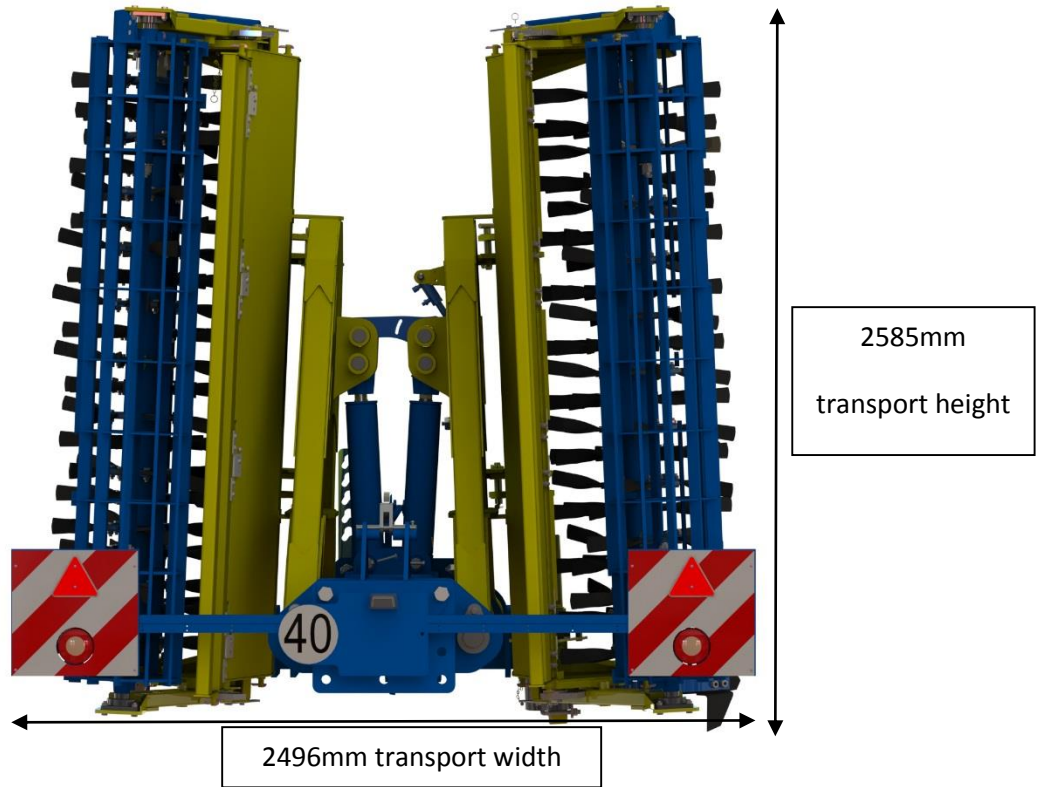
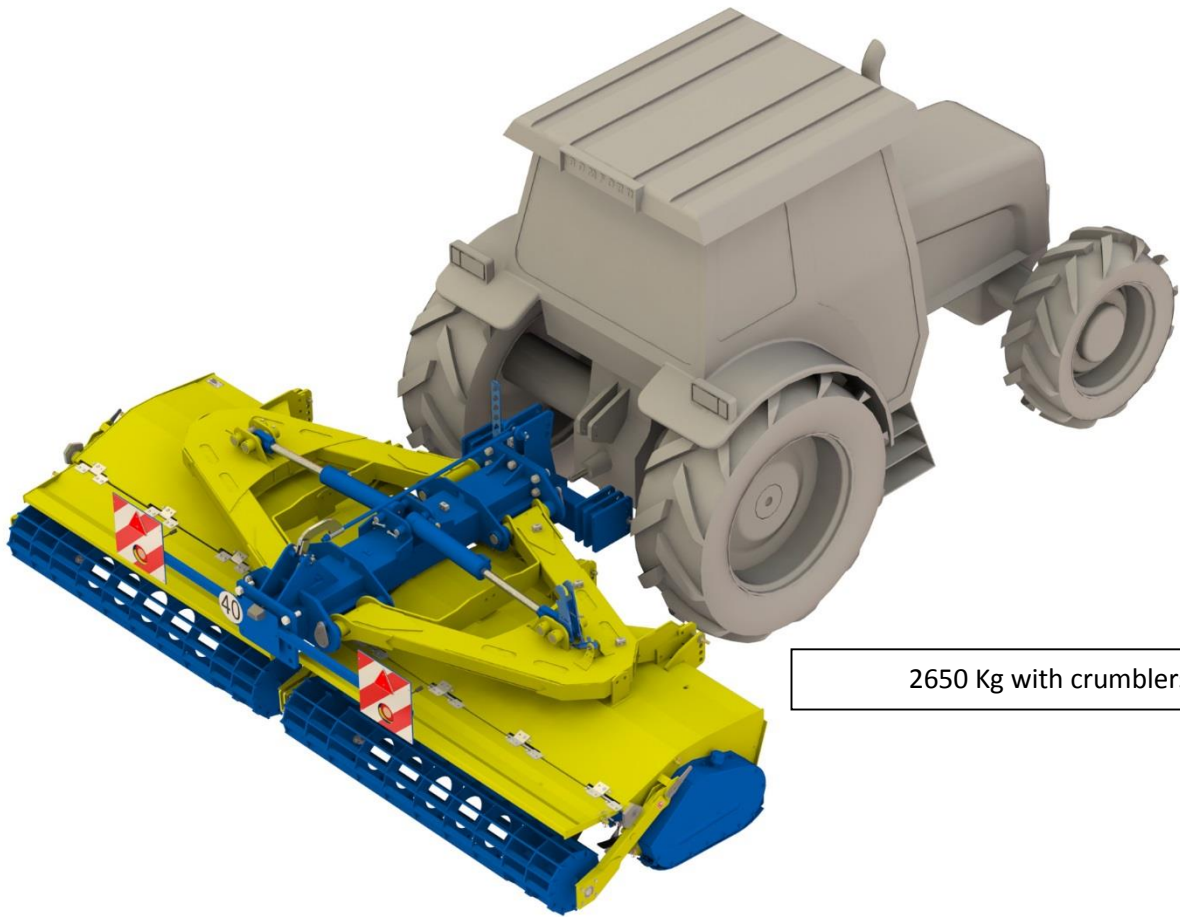


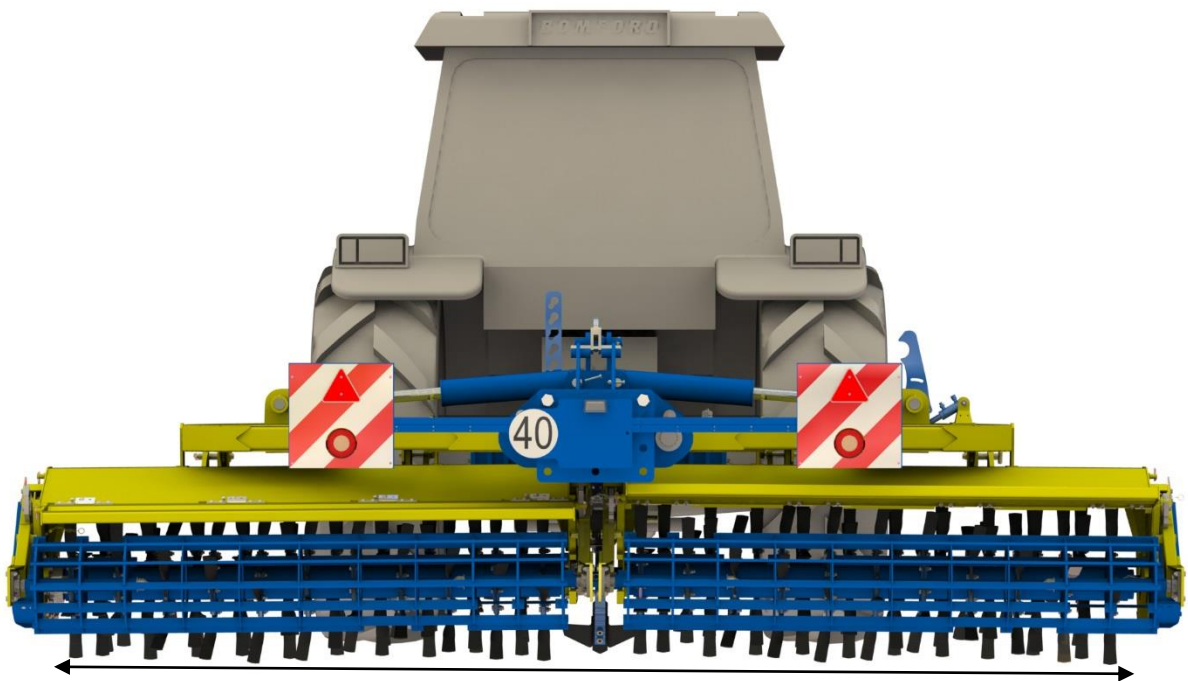
Bomford-Turner Folding 4m Dyna-Drive prototype dimensions



Bomford-Turner Folding 4m Dyna-Drive prototype dimensions



2650 Kg with crumblers



4452mm tine-to-tine working width